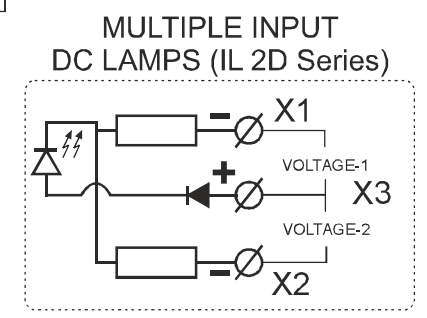
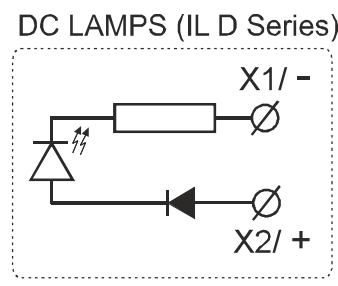
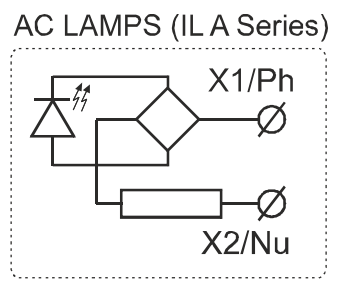


AVAILABLE VOLTAGES

ILA SERIES	ILD SERIES	IL2D SERIES
63.5V AC	12V DC	110/220V DC
110V AC	24V DC	
230V AC	30V DC	
	48V DC	
	110V DC	
	220V DC	



NOTE: The information in this document is the property of Inqore Systems Pvt. Ltd. Bangalore. This document must not be used directly or indirectly in any way detrimental to the interest of the company. The information contained in this document shall not be shared with any other party without prior intimation to Inqore System Pvt. Ltd.
Information contained in this document is subject to change without prior notification.

TITLE	TITLE : TYPICAL WIRING DRAWING & CUTOUT DRAWING
PRODUCT	INDICATING LAMP
DRG. No.	SEL-C-016

DRAWN BY	TKS	SIG.	
APPROVED BY	SRI	SIG.	
RELEASE DATE	26-6-2019	REV No.	00
# ALL DIMENSIONS ARE IN MM UNLESS OTHERWISE SPECIFIED	PAGE	1	
	CONTd. TO	-	